

SVAC4 Vacuum Oven Spec Sheet



Model Name / Order Part ID	SVAC4 / SLV422
Exterior Dimensions (W x D x H)	27.0" x 35.2" x 32.8" 686 x 895 x 833 mm
Interior Dimensions (W x D x H)	18" x 24" x 18" 457 x 610 x 457 mm
Interior Volume	4.50 cu.ft. (127.4 liters)
Unit Weight	317 lb (144 kg)
Shipping Weight	462 lb (210 kg)
Interior Construction	300 Stainless Steel
Exterior Construction	Painted Cold Roll Steel
Standard Chamber Gasket	Silicone
Shelves	3 included, 6 Max
Shelf Dimensions (W x D)	17.2" x 22.9" (437 x 582 mm)
Maximum Weight per Shelf	35 lb (15.8 kg)
Permitted Total Load	105 lb (47.6 kg)
Controls	EZ-ZONE Watlow
Access Port	KF-25
Vertical Clearance	12" (305 mm)
Wall Clearance, Each Side	6" (152 mm)
Wall Clearance, Rear	12" (305 mm)

Electrical Data	
Frequency	50/60Hz
Voltage	110V-120V
Power Current (Max Draw), Amps	13
Nominal Power (watts @150°C)	835
Plug Supplied	NEMA 5-15P

Energy Consumption (kWh/day)	
At 80°C	13.2
At 150°C	19.4
At 220°C	30.8

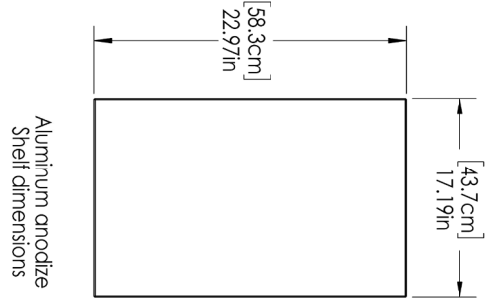
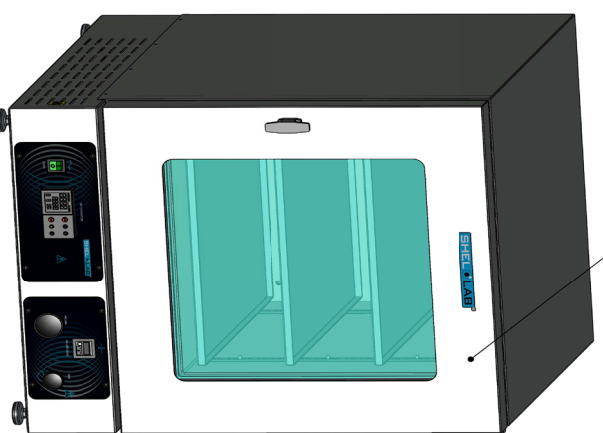
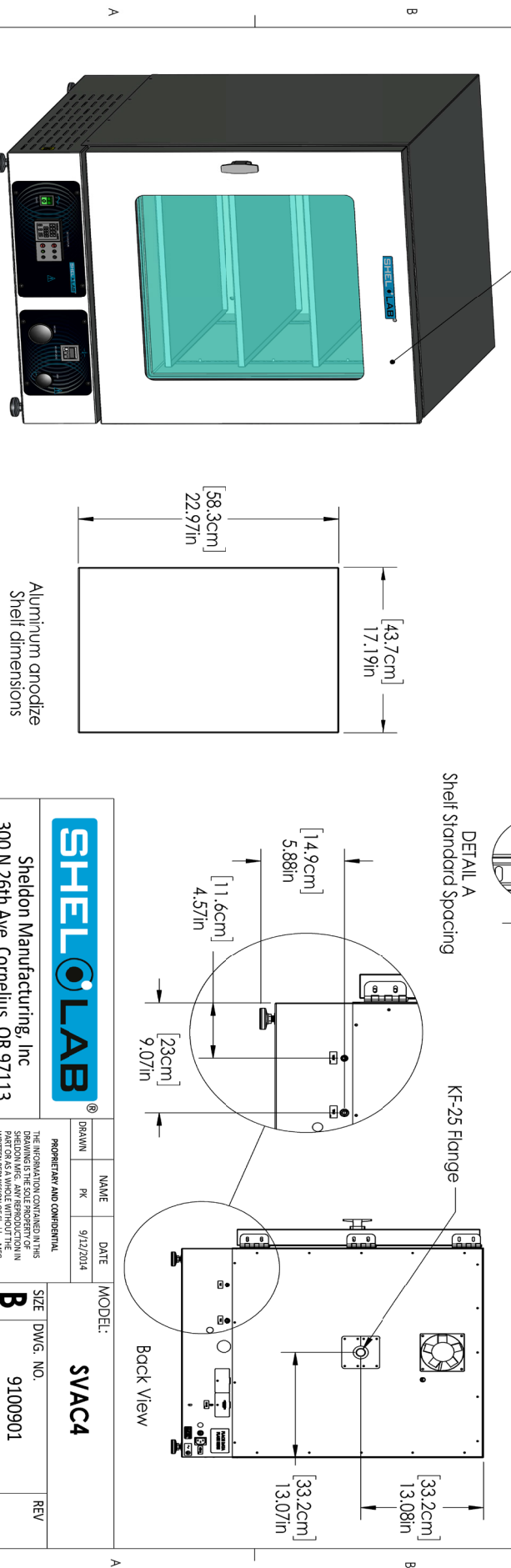
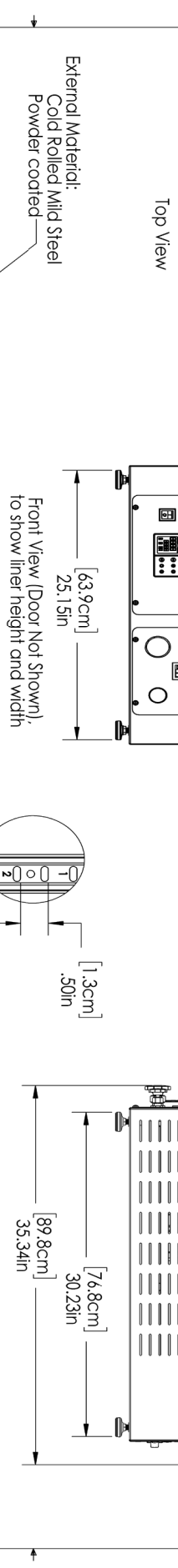
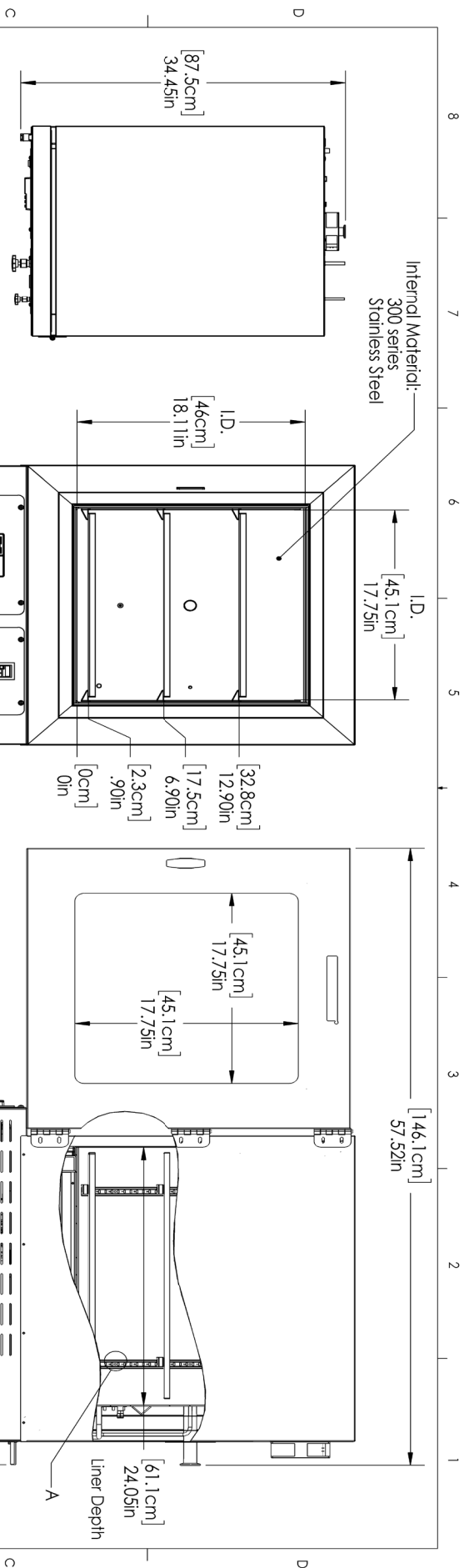
Temperature Data	
Heat-Up to Ambient — Minutes to 80°C	70
Heat-Up to Ambient — Minutes to 150°C	120
Heat-Up to Ambient — Minutes to 220°C	230
Temperature Range	10°C above ambient to 220°C
Temperature Stability	+/- 0.25°C @ 150°C
Operational Vacuum Range	-3.0 to -29.9 InHg
Vacuum Display Range	0-29.9 InHg

Misc.	
Warranty	2 Year Limited Warranty
Safety Certifications	UL 61010-1, EN 61010-1, CSA 61010-1, CE



Learn More About Sheldon Manufacturing
sales@sheldonmfg.com
sheldonmanufacturing.com
 (503) 640-3000





SHIELD LAB		Sheldon Manufacturing, Inc 300 N 26th Ave Cornelius, OR 97113 www.shellab.com	
DATE	NAME	MODEL	REV
9/12/2014	PK	SVAC4	9100901
DRAWN		SCALE: 1:12	WEIGHT:
PROPERTY AND CONFIDENTIAL		SHEET 1 OF 1	
THE INFORMATION CONTAINED IN THIS DRAWING IS THE SOLE PROPERTY OF SHIELD LAB AND IS NOT TO BE REPRODUCED OR TRANSMITTED IN ANY FORM OR BY ANY MEANS, ELECTRONIC OR MECHANICAL, WITHOUT THE WRITTEN PERMISSION OF Sheldon Mfg. IS PROHIBITED.			